



**KRAFT**

# EZ SHOOTER™

Professional **OIL-LESS** Texture Compressor



4 Models  
EZ-Shooter™ **OIL-LESS** Texture  
Compressor w/ Gun & Hopper

- ✓ **OIL-LESS** air supply
- ✓ Durable 200 PSI hose resists kinking
- ✓ Telescoping handle for correct working height
- ✓ Sprays overlay and decking materials
- ✓ Includes Gun & Hopper
- ✓ Delivers 7.0 C.F.M. free air at 25 PSI
- ✓ Motor and compressor are combined into one single design
- ✓ Sprays a variety of textures and materials

Choose From a Variety  
of Gun & Hoppers

# EZ SHOOTER™

Professional **OIL-LESS** Texture Compressor

## PC610

W/ COMPRESSOR, HOSE,  
CARRIER & CART

## PC605

W/ COMPRESSOR, HOSE  
& CARRIER

**Includes:**

PC201-Pro-Form® Texture Gun & Hopper  
Sprays a variety of textures and materials

## PC620

W/ COMPRESSOR, HOSE,  
CARRIER & CART

## PC615

W/ COMPRESSOR, HOSE  
& CARRIER

**Includes:**

PC401-EZY Deck Pro Gun & Hopper  
Sprays overlay and decking materials

## PC630

W/ COMPRESSOR, HOSE,  
CARRIER & CART

## PC625

W/ COMPRESSOR, HOSE  
& CARRIER

**Includes:**

PC301-Super-Pro® Texture Gun & Hopper  
Sprays a variety of textures and materials

## PC640

W/ COMPRESSOR, HOSE,  
CARRIER & CART

## PC635

W/ COMPRESSOR, HOSE  
& CARRIER

**Includes:**

PC501-Standard Texture Gun & Hopper  
Ideal for spraying walls, ceilings,  
fireproofing and stucco



Easy to carry and store w/ convenient handle.

OIL-LESS  
COMPRESSOR  
& CARRIER

Vibration isolator to prevent vibration.





# Operating & Maintenance Instructions (Gun & Hoppers)

The Kraft PC610, PC620, PC630 & PC640 EZ-Shooter™ comes with the following:

Gun & Hopper, EZ-Shooter™ Professional Oil-less Texture Compressor w/ Carrier, Wheeled cart, and 50' of 1/2" airline w/ fittings

The Kraft PC605, PC615, PC625 & PC635 EZ-Shooter™ Compressors come with same as above excluding the wheeled cart.

## Gun To Hopper:

Place hopper clamp on hopper. Insert gun into bottom of hopper. Adjust and tighten hopper clamp to proper position to secure gun to hopper. Attach gun & hopper to air hose.

## Material Consistency:

Follow the material manufacturer's instructions for correct consistency. A mix which is too stiff will not flow through the gun properly, resulting in irregular spray pattern.

**Note:** For best results, always mix texture material with a drill type mixer.

## Air Requirement:

The Kraft Professional Oil-less Texture Compressor unit is rated at 7.0 CFM free air at 25 PSI.

**(Note: If you are using your own compressor, it must have an equivalent or larger capacity than the EZ-Shooter™ oil-less compressor.)**

The EZ-Shooter™ compressor is designed for continuous operation. There is no holding tank which builds reserve air. When the compressor is running, a continuous supply of air will flow through the gun.

## Gun Settings & Adjustments PC201 & PC401

### Air Nozzle/Orifice Nozzle Settings

There are 3 sizes of Air Nozzles: 2.0mm, 2.5mm, & 3.0mm. The gun is shipped from the factory with the 2.5 mm Air Nozzle already installed. The diameter of the air nozzle determines the amount of air that disperses the material.

There are three sizes of Material Orifice Nozzles: 4.0mm, 6.0mm, & 8.0mm. The gun is shipped from the factory with the 8.0mm Material Orifice Nozzle. The larger diameter orifice nozzle will give you a wider pattern and a thicker texture. The smaller diameter orifice nozzle will give you a narrow pattern with a thin texture.

### Trigger Adjustment/Fluid Control Knob

The position of the trigger determines the volume of material, but does not affect the air flow. As you adjust the Fluid Control Knob and pull back on the trigger, more material will flow from the gun. When the Fluid Control Knob is fully turned counter-clockwise the trigger has maximum travel allowing for maximum flow of material. As the knob is tightened, trigger travel and material flow is reduced.

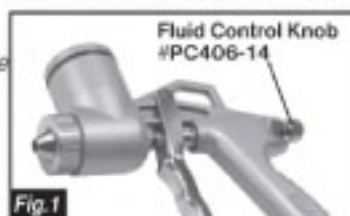


Fig.1

**Note:** It is recommended that you set your pattern on scrap material before spraying your finished product. By experimenting with the various adjustments, you should be able to obtain your desired texture.

Control of spray can be adjusted in four different ways:

**Air Nozzle, Compressor, Fluid Control Knob Assembly & Orifice Nozzles.**

## Clean-up & Maintenance PC201 & PC401

It is not necessary to completely disassemble the gun after each spray operation. It is advisable to remove the gun from the hopper so that the bowl in the gun can be easily flushed with water.

After cleaning the gun, place a few drops of oil around the air stem bushing (PC406-18) by turning the gun upside down and pulling back the trigger. Also, lubricate the Gun Needle (PC406-10) behind the trigger with a few drops of oil. (See Figure #2)



Fig.2

## Gun Settings & Adjustments PC301 & PC501

### Pattern Adjustments:

The orifice plate found at the front of the gun has (5) different size openings to choose from. The plate can be rotated by loosening the orifice plate nut and the orifice clamp nut. The size of opening will determine the amount of material flow when the trigger is squeezed. The more material allowed to flow from the gun, the more coarse the pattern.

**NOTE:** Orifice plate and air tip are preset at the factory for the most popular texture size.

The amount of air which reaches the gun is controlled by the relief valve located at the front of the compressor. When tightened all the way down, the compressor will deliver maximum air to the gun. (Compressor air gauge will read 17-22 PSI with 1/8" air tip, 25-28 PSI with 3/32" air tip.) As the relief valve is backed off, air will bleed off through the top of the valve. This will decrease the amount of air which will reach the gun. The more air supplied to the gun the finer the pattern. As pressure decreases, the pattern will become coarse, reaching a splatter texture at about 5-10 PSI.

The Kraft model (PC301) is supplied with an air shut-off valve at the rear of the gun. This valve should be used only with Tank Type Compressors. Using the shut-off valve with the Kraft rotary vane compressor is not recommended for the following reasons.

- (A) Blocking the air flow at the gun creates excessive back pressure at the compressor - resulting in premature wear.
- (B) High back pressure increases electrical current flow which may cause the circuit breaker or fuse to open.

The trigger stop found on the side of the gun can also be used to control the amount of material flow. When the trigger stop is all the way toward the rear of the gun, trigger has maximum travel, allowing for maximum flow of material. As the trigger stop is moved toward the front of the gun, trigger travel and material flow is reduced. As mentioned before, the more material, the coarser the pattern.

**Note:** It is recommended that you set your pattern on scrap material before spraying your finished product. By experimenting with the various adjustments, you should be able to obtain your desired texture.

## Clean-up & Maintenance PC301 & PC501

It is not necessary to completely disassemble the gun after each spray operation. It is advisable to remove the gun from the hopper so that the bowl in the gun can be easily flushed with water.

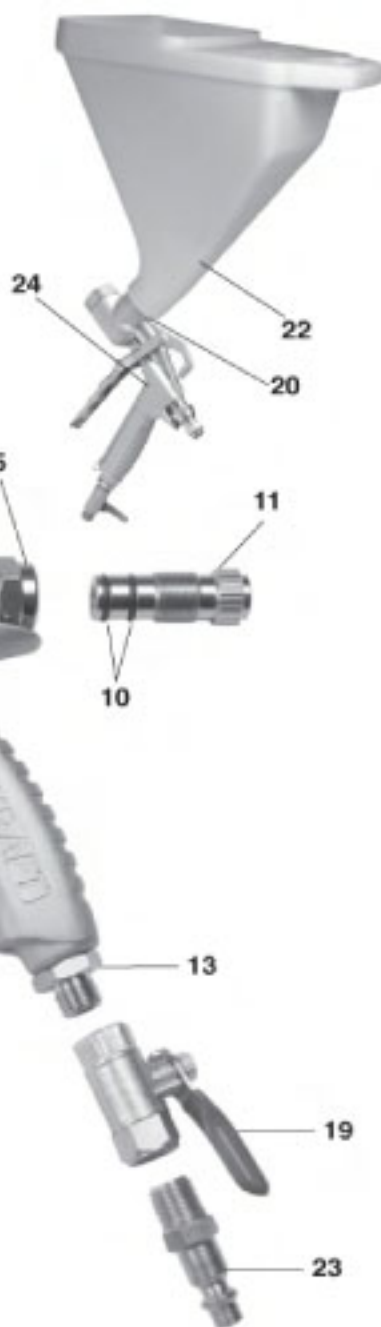
After cleaning the gun, place a few drops of oil on the front bushing by turning the gun upside down, tilting the gun down and pulling back on the trigger. A couple of drops of oil in the air stem will help lubricate the front bushing.

Next place a few drops of oil on the rear bushing by pushing the trigger stop all the way forward. A couple of drops of oil on the air stem will help lubricate the rear bushing.

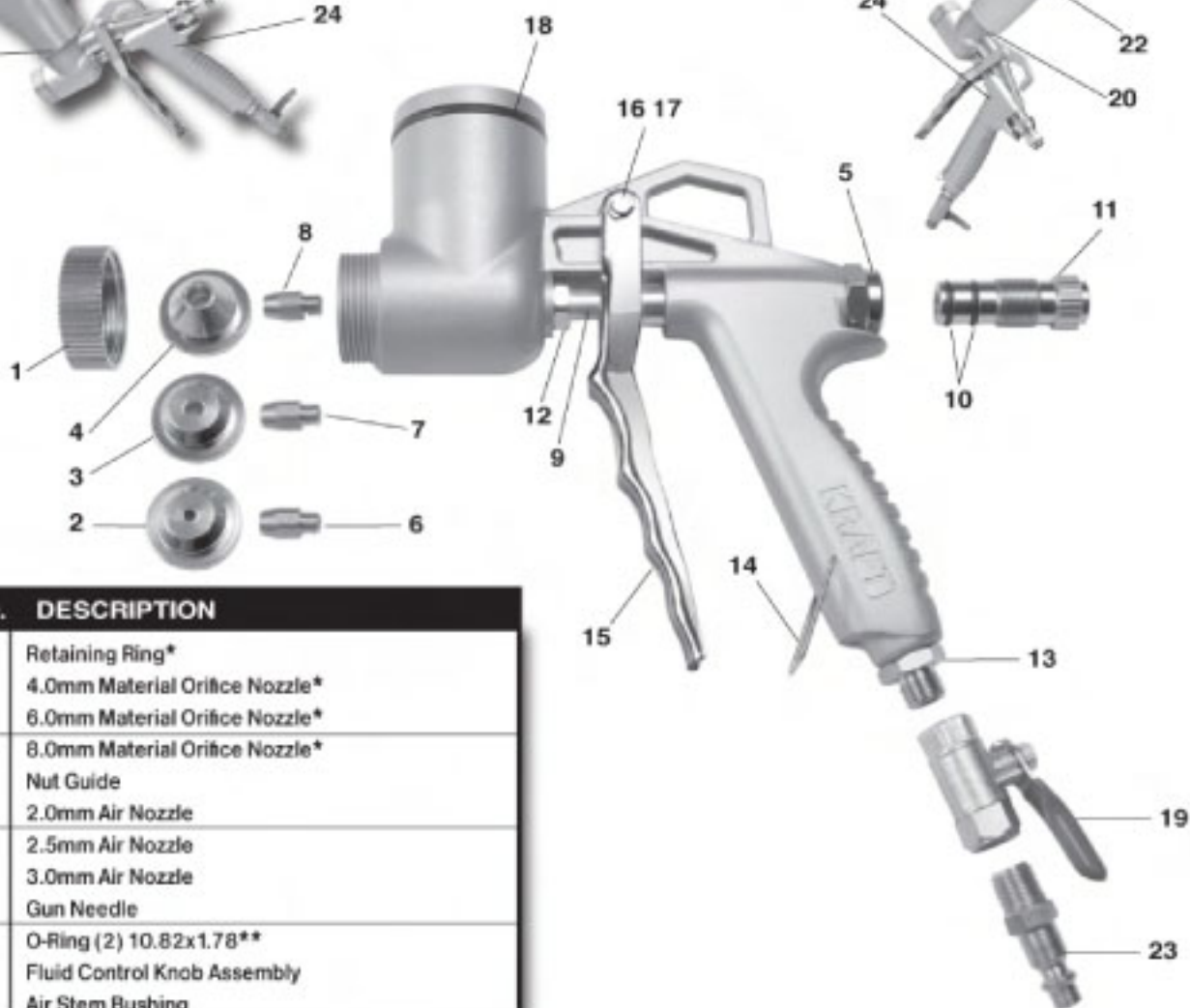
## PC401 EZY Deck Pro Gun & Hopper



## PC201 ProForm® Texture Gun & Hopper



# PC201 & PC401



NO.	PART NO.	DESCRIPTION
1	PC406-01	Retaining Ring*
2	PC406-02	4.0mm Material Orifice Nozzle*
3	PC406-03	6.0mm Material Orifice Nozzle*
4	PC406-04	8.0mm Material Orifice Nozzle*
5	PC406-06	Nut Guide
6	PC406-07	2.0mm Air Nozzle
7	PC406-08	2.5mm Air Nozzle
8	PC406-09	3.0mm Air Nozzle
9	PC406-10	Gun Needle
10	PC406-11	O-Ring (2) 10.82x1.78**
11	PC406-14	Fluid Control Knob Assembly
12	PC406-18	Air Stem Bushing
13	PC406-21	Shut Off Bushing
14	PC406-22	Trigger Holder
15	PC406-23	Gun Trigger
16	PC406-24	Retaining Ring (2)
17	PC406-25	Trigger Pin
18	PC406-27	Large O-Ring**
19	PC406-28	Shut Off Valve
20	PC560	Hopper Clamp
21	PC410	Ezy Deck Hopper Only
22	PC559W	ProForm Hopper Only
23	PC555	Quick Coupler
-	PC406-19	Air Stem O-Ring (2) (Not shown) 9.25x1.78**
-	PC406-13	Gun Needle O-Ring (2) (Not shown) 10.82x1.78**
-	PC406-20	Shut Off Bushing O-Ring (Not shown) 11.5x1.5
24	PC406	Gun ONLY

### PC406 COMPLETE GUN (ONLY)

**\*PC407 Nozzle Repair Kit**  
(Includes 'PC406-01, 'PC406-02,  
'PC406-03, and 'PC406-04)

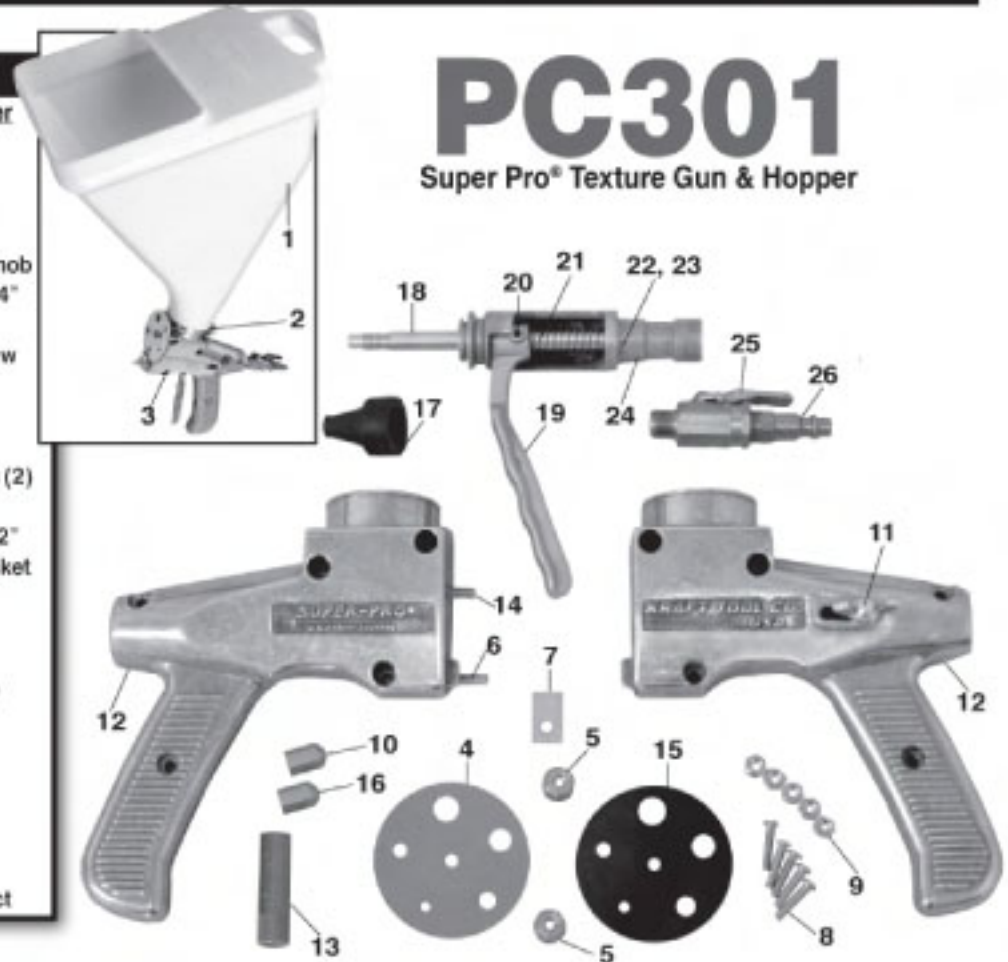
**\*\*PC408 O-Ring Repair Kit**  
(Includes 'PC406-11, 'PC406-13,  
'PC406-19, and 'PC406-27)



NO.	PART NO.	DESCRIPTION
-	PC301	Super-Pro® Gun & Hopper
1	PC559W	Hopper
2	PC560	Clamp
3	PC306	Gun (Only)
4	PC533	Orifice Plate
5	PC308	Brass Knurled Knob
6	PC541	Orifice Screw 3/4"
7	PC542	Orifice Clamp
8	PC580	8-32 x 3/4" Screw
9	PC581	8-32 Hex Nut
10	PC549	Air Tip 3/32"
11	PC550	Stop Lock
12	PC554	Handle Castings (2)
13	PC556	Socket Tool
14	PC557	Orifice Screw 1/2"
15	PC561	Orifice Plate Gasket
16	PC548	Air Tip 1/8"
17	PC540	Rubber Seal
18	PC547	Air Stem
19	PC539B	Trigger (Bronze)
20	PC546	Set Screw
21	PC537	Spring
22	PC552	Flat Washer
23	PC553	Rear Seal
24	PC564	Bearing Frame
25	PC563	Shut-Off Valve
26	PC555	Quick Disconnect

# PC301

Super Pro® Texture Gun & Hopper



Super-Pro® Gun Cylinder Repair Kit  
#PC307 (See next page)

NO.	PART NO.	DESCRIPTION
-	PC501	Standard Gun & Hopper
1	PC559B	Hopper
2	PC560	Clamp
3	PC506	Gun (Only)
4	PC533	Orifice Plate
5	PC536	Orifice Nut
6	PC564	Bearing Frame
7	PC541	Orifice Screw 3/4"
8	PC542	Orifice Clamp
9	PC580	8-32 x 3/4" Screw
10	PC581	8-32 Hex Nut
11	PC549	Air Tip 3/32"
12	PC550	Stop Lock
13	PC554	Handle Castings (2)
14	PC556	Socket Tool
15	PC557	Orifice Screw 1/2"
16	PC561	Orifice Plate Gasket
17	PC548	Air Tip 1/8"
18	PC540	Rubber Seal
19	PC547	Air Stem
20	PC539	Trigger
21	PC546	Set Screw
22	PC537	Spring
23	PC552	Flat Washer
24	PC553	Rear Seal
25	PC555	Quick Disconnect

# PC501

Standard Texture Gun & Hopper



• Denotes parts in Standard Gun Repair Gun Kit #PC507  
PLUS additional screws for old style gun:  
(2) 1/2" screws, (1) 3/4" screw and (2) 1" screws

# Super Pro® Gun Cylinder Repair Kit Parts List

## Super-Pro® Gun Cylinder (PC307) Repair Kit

U.S. Patent #5,415,351



\* Use the PC307 for Fast & Easy Repairs

Qty	Description	Qty	Description
1	Orifice Plate (PC533)	1	Air Tip 1/8" (PC548)
2	Brass Knurled Knob (PC308)	1	Rubber Seal (PC540)
1	Orifice Screw 3/4" (PC541)	1	Air Stem (PC547)
1	Orifice Clamp (PC542)	1	Trigger-Bronze (PC539B)
5	8-32 x 3/4" Screw (PC580)	1	Set Screw (PC546)
5	8-32 Hex Nut (PC581)	1	Spring (PC537)
1	Air Tip 3/32" (PC549)	1	Flat Washer (PC552)
1	Stop Lock (PC550)	1	Rear Seal (PC553)
1	Socket Tool (PC556)	1	Bearing Frame (PC564)
1	Orifice Screw 1/2" (PC557)	1	Shut-Off Valve (PC563)
1	Orifice Plate Gasket (PC561)	1	Quick Disconnect (PC555)
5	8-32 x 3/4" Screw (PC580)		

## Operating & Maintenance Instructions (Compressor)

### General Maintenance and Service

1. The compressor should be located in a dry, clean and well ventilated area.
2. Inspect before use; hose, plug, and cord for signs of damage. Do not use if a deficiency is found. Contact your nearest service center for replacement parts. Never operate a damaged unit.
3. This air compressor needs no lubrication. Applying oil to any part could result in polluted air delivery to the air-handling equipment.
4. Compressed air must never be aimed at anyone because it can cause serious injury. Keep children away. **WEAR EYE PROTECTION.**
5. All air compressors generate heat even under normal operating conditions. To avoid serious burns, never touch the air compressor during or immediately after operation.
6. When unit is not in use, wrap cord around hanger and store in dry place. Do not abuse cord or plug.
7. Before servicing, cleaning, or removal of any part, shut off power and relieve pressure from tank.

If warranty service or repair is needed contact your nearest authorized service center. If one does not exist in your area, contact the factory. Unauthorized repairs or tear down of the unit will void the factory warranty.

### Setup

#### Location of Air Compressor:

Operate air compressor in a clean, dry and well ventilated area. The air filter must be kept clear of obstructions which could reduce air flow to the compressor. The air compressor should be located at least 12" away from walls or other obstructions that could interfere with the flow of air.

#### CAUTION:

When an extension cord is necessary, use at least 12 gauge cord, no longer than 100 ft. Extensions in excess of 100 ft may cause voltage drops resulting in damage to the electric motor.

The electric motor on your compressor unit is covered by a one year warranty by the original manufacturer. If motor problems develop contact the nearest authorized service center. If the situation is not handled to your satisfaction, please let us know.

#### WARNING

Be safe, always wear safety goggles and filter mask while spraying.

#### Pressure Regulator:

This system produces 55 PSI. The amount of air which reaches the gun is controlled by the pressure regulator located at the front of the compressor. When tightened all the way down, the compressor will deliver maximum air to the gun. As the pressure regulator is backed off, air will bleed off through the top of the valve. This will decrease the amount of air which will reach the gun. The more air supplied to the gun the finer the pattern. As pressure decreases, the pattern will become coarse. (See Figure #3)

#### Pressure Regulator



### Operation

#### Thermal Overload Protector:

The compressor motor is equipped with a thermal overload protector. If the motor should overheat, the overload protector will shut the motor off. If this occurs, turn the on/off lever to the off position and allow motor to cool for approximately 20 minutes.

#### Using A Tank Type Compressor

Attach the shut off valve to the bottom of the gun. Attach the quick coupler to the shut off valve and the 50' Hose to the quick coupler. The shut-off valve allows you to stop the airflow from the compressor. If you turn the shut off valve to the closed position, air flow will stop and force the air into the reserve tank. The quick coupler will allow you to disconnect the air hose from the gun completely.

### Maintenance

#### Air Filter (PC640-09):

Inspect air filter before each use. Clean filter with soap and water as necessary. If filter becomes clogged or damaged, replace it.

#### WARNING:

Never clean air filter with flammable liquid or solvent. Explosive vapors may accumulate and cause an explosion, resulting in serious injury or death.

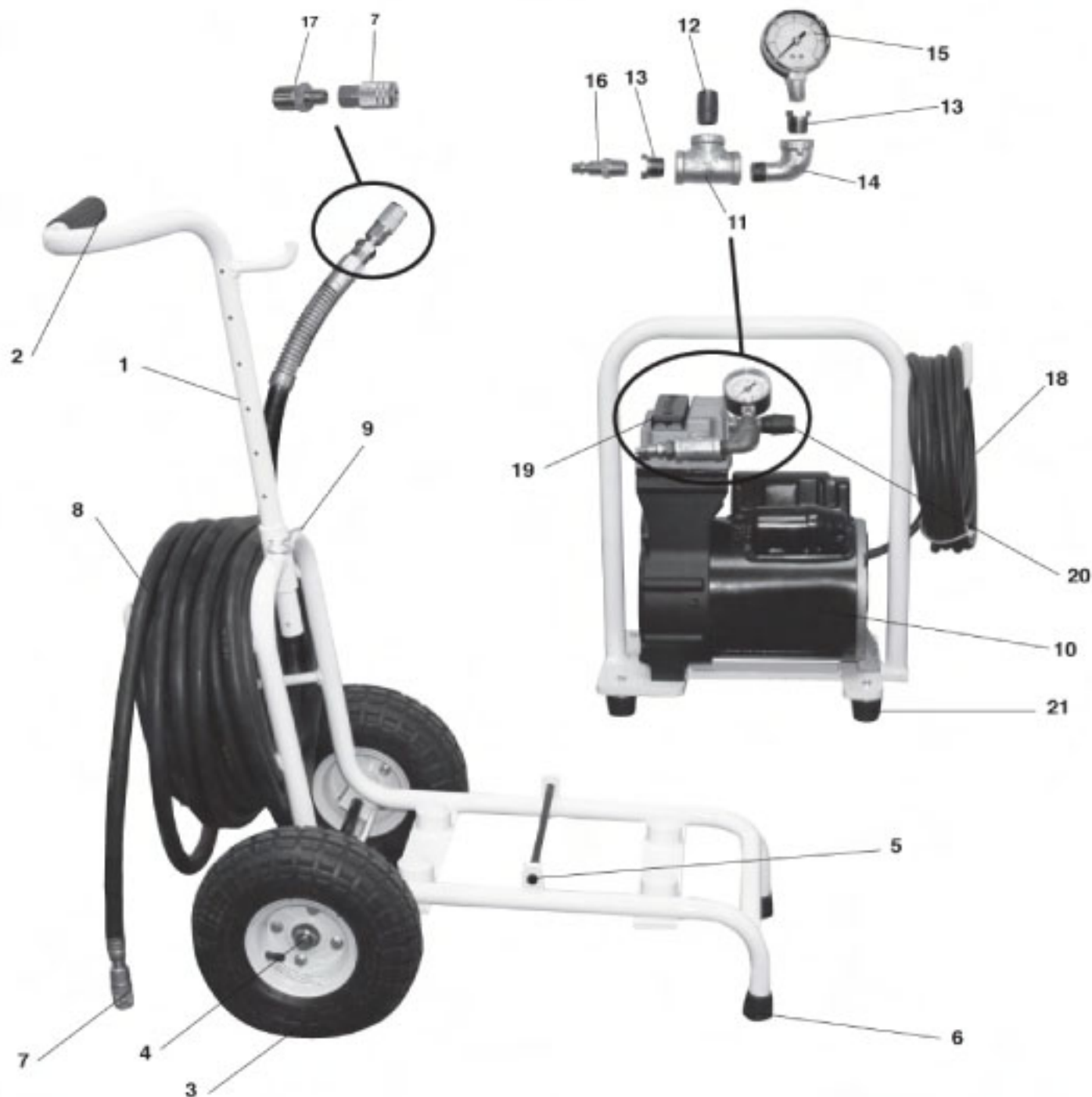
#### CAUTION:

Do not operate air compressor without air filter.

Do not operate air compressor with dirty air filter.



# Parts List (EZ-Shooter™ Professional Oil-less Texture Compressor)



NO.	PART NO.	DESCRIPTION
<b>EZ-Shooter™ Wheeled Cart &amp; Compressor w/ Carrier</b>		
-	PC604	Wheeled Cart ONLY
1	PC604-01	Handle w/ Clip Pin
2	PC604-02	Rubber Handle Grip
3	PC604-03	Wheel w/ Tire
4	PC604-04	Axle w/ Nuts (2)
5	PC604-05	Keeper Pin w/ Clip
6	PC604-06	Rubber Cap
7	PC519	Female Quick Coupler
8	PC504	Air Hose
9	PC604-07	Clip Pin

NO.	PART NO.	DESCRIPTION
<b>EZ-Shooter™ Compressor w/ Carrier</b>		
10	PC640-03	Compressor w/ Motor & Cord
11	PC640-04	3/8" Tee
12	PC640-05	3/8" Short Nipple
13	PC640-06	3/8" - 1/4" Bushing
14	PC640-07	3/8" Elbow
15	PC526	Pressure Gauge
16	PC555	Male Quick Coupler
17	PC640-08	Brass Adaptor
18	PC514	Power Cord
19	PC640-09	Air Filter (3)
20	PC640-13	Pressure Regulator
21	PC640-11	Vibration Isolator w/ Hardware
-	PC640-14	Piston Seal Rebuild Kit



## ***KRAFT TOOL CO.®***

8325 Hedge Lane Terrace  
Shawnee, Kansas 66227 USA  
(913) 422-4848 • Fax (913) 422-1018  
(800) 422-2448 • Fax (800) 985-7238  
[www.KraftTool.com](http://www.KraftTool.com)



*W. Rose™, Sands Level & Tool Co.®, Inc., and Superior Tile Cutter®, Inc. are wholly owned subsidiaries of Kraft Tool Co.®*

© Copyright, 2007 Kraft Tool Co.® 4/2007