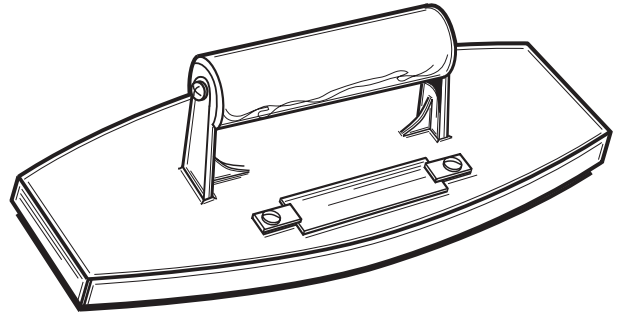




# CUSTOM CONCRETE NAME AND DATE STAMP

- The perfect way to mark concrete for permanent identification
- Made from high grade bronze
- Stamp is 5" x 9" oval with flat ends
- Shipping weight is 5 lbs.



Stamp has 16 spaces per line with 3 lines available to use and will be made exactly as you print below. The 2-1/2" long date insert (year only) is optional and placed between line 2 and line 3, clipped to the back of the stamp for easy change. Available characters include letters A through Z (*upper case only*); numbers 0 through 9; and specific symbols (comma, period, dash, slash, apostrophe, hyphen, colon, semi-colon and ampersand). Logos are not adaptable to this name stamp. Each character needs one space. Characters are 5/8" tall, imprinting 1/2" deep. Center characters per line or start flush on left side. Lines 1 and 3 are curved as shown below, while Line 2 is straight. Overall stamp is 5 x 9". Please fill out the form below exactly to your preference, leaving a space between words or group of numbers as desired. Please use correct item number when ordering.

**\*PLEASE PRINT**


**Quantity and Item #**

- \_\_\_\_\_ Name Stamp with Date Insert with Wood Handle (CF400)
- \_\_\_\_\_ Name Stamp with Date Insert with ProForm® Handle (CF400PF)
- \_\_\_\_\_ Name Stamp without Date Insert (CF400-01)
- \_\_\_\_\_ Name Stamp without Date Insert with ProForm® Handle (CF400PF-01)
- \_\_\_\_\_ Date Insert ONLY 2014 (CF401-14)
- \_\_\_\_\_ Date Insert ONLY 2015 (CF401-15)

Allow approximately 2-3 weeks delivery

Return this form to your nearest Kraft Tool distributor, or fax, scan/email directly to Kraft Tool

**Kraft Tool Co.®**  
 8325 Hedge Lane Terrace  
 Shawnee, KS 66227, USA  
 Tel 913-422-4848 • Fax 913-422-1018  
[www.KraftTool.com](http://www.KraftTool.com)  
 Email: [Sales@KraftTool.com](mailto:Sales@KraftTool.com)