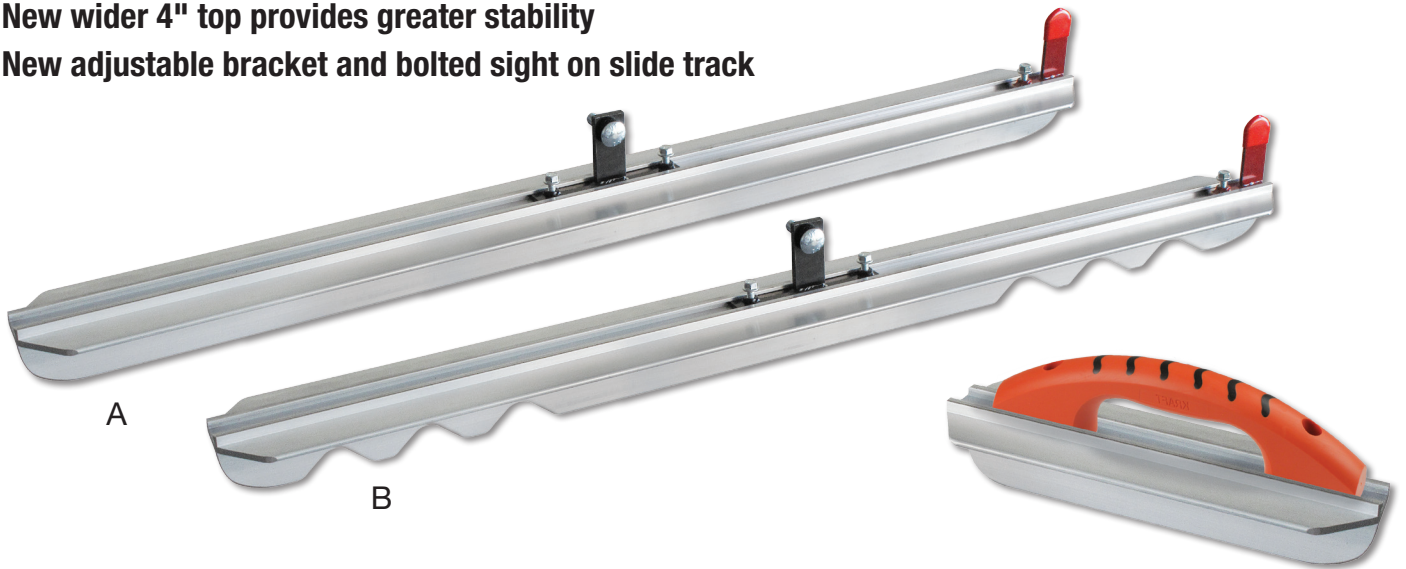




Straight Arrow Groovers

New Improved Design

- New design on both walking and hand groover models
- Walking groover available with smooth or serrated bit
- New wider 4" top provides greater stability
- New adjustable bracket and bolted sight on slide track



Straight Arrow Groover for Control Joints

Ideal tool for cutting long straight control joints

These high-grade aluminum groovers are designed to cut long straight control joints. The design features a 4" wide top, providing greater stability. The bolted sight marker helps cut perfectly long straight control joints. Serrated bit moves aggregate in the groove for stronger concrete. The new adjustable bracket assembly slides on a center track for easy placement. Handles and adapters sold separately.

A) Straight Bit

No.	Size	Bit Width	Bit Depth
CC006W-125	24"	1/4"	1-1/4"
CC006W-150	24"	1/4"	1-1/2"
CC006W-175	24"	1/4"	1-3/4"
CC003W-125	36"	1/4"	1-1/4"
CC003W-150	36"	1/4"	1-1/2"
CC003W-175	36"	1/4"	1-3/4"
CC004W-125	48"	1/4"	1-1/4"
CC004W-150	48"	1/4"	1-1/2"
CC004W-175	48"	1/4"	1-3/4"
CC005W-125	60"	1/4"	1-1/4"
CC005W-150	60"	1/4"	1-1/2"
CC005W-175	60"	1/4"	1-3/4"

B) Serrated Bit

No.	Size	Bit Width	Bit Depth
CC006WS-125	24"	1/4"	1-1/4"
CC006WS-150	24"	1/4"	1-1/2"
CC006WS-175	24"	1/4"	1-3/4"
CC003WS-125	36"	1/4"	1-1/4"
CC003WS-150	36"	1/4"	1-1/2"
CC003WS-175	36"	1/4"	1-3/4"
CC004WS-125	48"	1/4"	1-1/4"
CC004WS-150	48"	1/4"	1-1/2"
CC004WS-175	48"	1/4"	1-3/4"
CC005WS-125	60"	1/4"	1-1/4"
CC005WS-150	60"	1/4"	1-1/2"
CC005WS-175	60"	1/4"	1-3/4"

Straight Arrow Hand Groover

Made of high grade aluminum. Hand groover is designed to cut straight control joints. Use in conjunction with walking groovers. Fitted with comfortable ProForm® float handle. Groover length 12", fitted with a 4" wide top for greater stability.

No.	Size	Bit Width	Bit Depth
CC012PF-125	12"	1/4"	1-1/4"
CC012PF-150	12"	1/4"	1-1/2"
CC012PF-175	12"	1/4"	1-3/4"

